

GENERAL DRAWING NOTES:

1. Material:

- a. Standard for Stainless Steel is Alloy Number 304 with a minimum wall thickness of 3/32" (.09").
- b. Optional for Stainless Steel is Alloy Number 316 (more corrosion resistant) with a minimum wall thickness of 3/32" (.09").

2. Finishes:

- a. Available in Polished, Satin, Non-Directional (Jitterbug) & Bead Blasted finishes.

3. Doors:

- a. Standard door thickness is 2".
- b. Available stile widths: 2 3/4" minimum.
- c. Available top rail heights: 2-3/4" minimum.
- d. Available bottom rail heights: 6" minimum (10" recommended to comply with 2004 ADA guidelines).
- e. Refer to section A detail 8 on page 7 for center rail detail.
- f. Refer to section A-3 for optional flush glazed glass stop configuration.
- g. Refer to section A page 15 for typical glass stop configurations to accommodate various glass thickness.

4. Frames:

- a. See details following for header profile required for specific power operator, and vertical jamb framing to properly support the power operator header.
- b. Refer to section A for framed sidelight and transom configurations with either applied glass stop configuration, A-1 & A-2 or flush glazed glass stop configuration, A-3.
- c. Consult factory for bottom load type power operator configuration if required for recessed header applications.

5. Door & Frame: Refer to section A-2 and section A page 15 for multi-light/true divided construction.

6. Threshold and floorbox types: Refer to section A pages 17 & 19 for details.

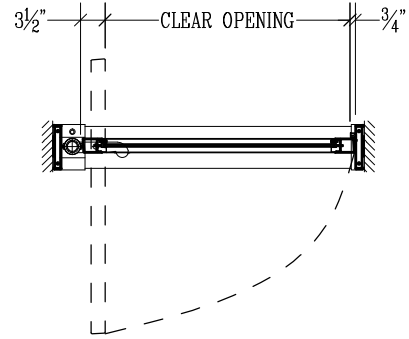
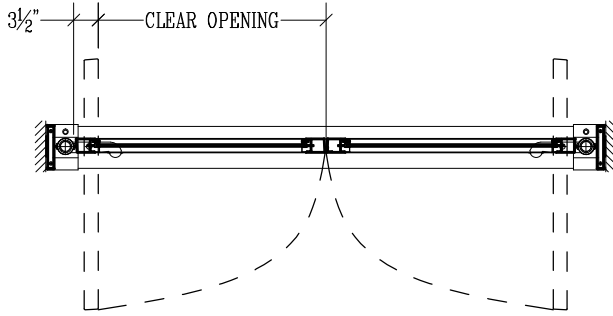
7. Door in open position/door projection: Refer to section A pages 16 & 18 for details.

8. Grilles: available, consult factory.

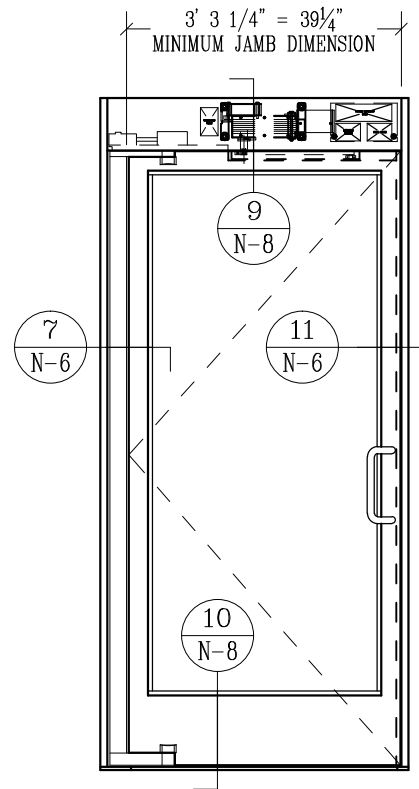
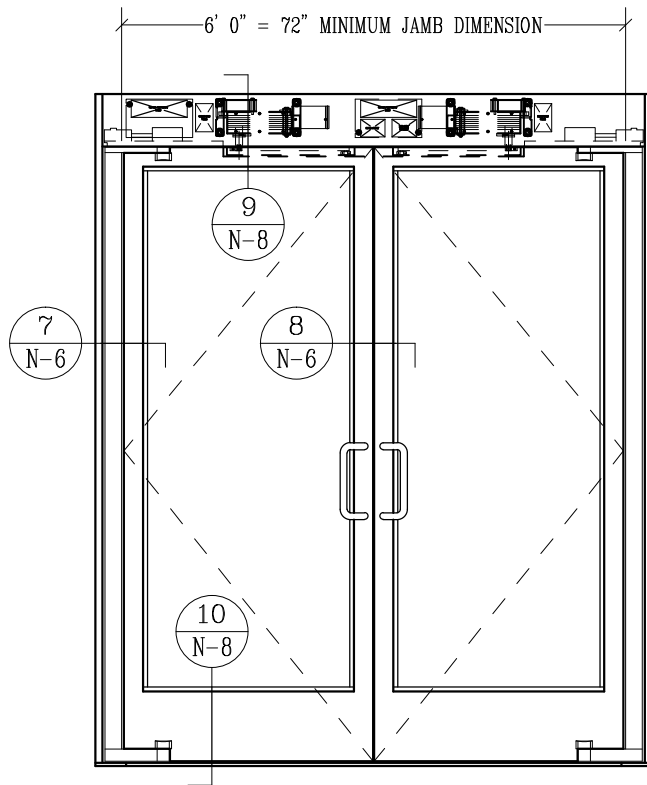
9. Further information: Refer to specifications following, miscellaneous items section M, curtainwall applications section L, or consult the factory.

Exposed Shafts / Horton "Power Now" (N-2)

INTERIOR

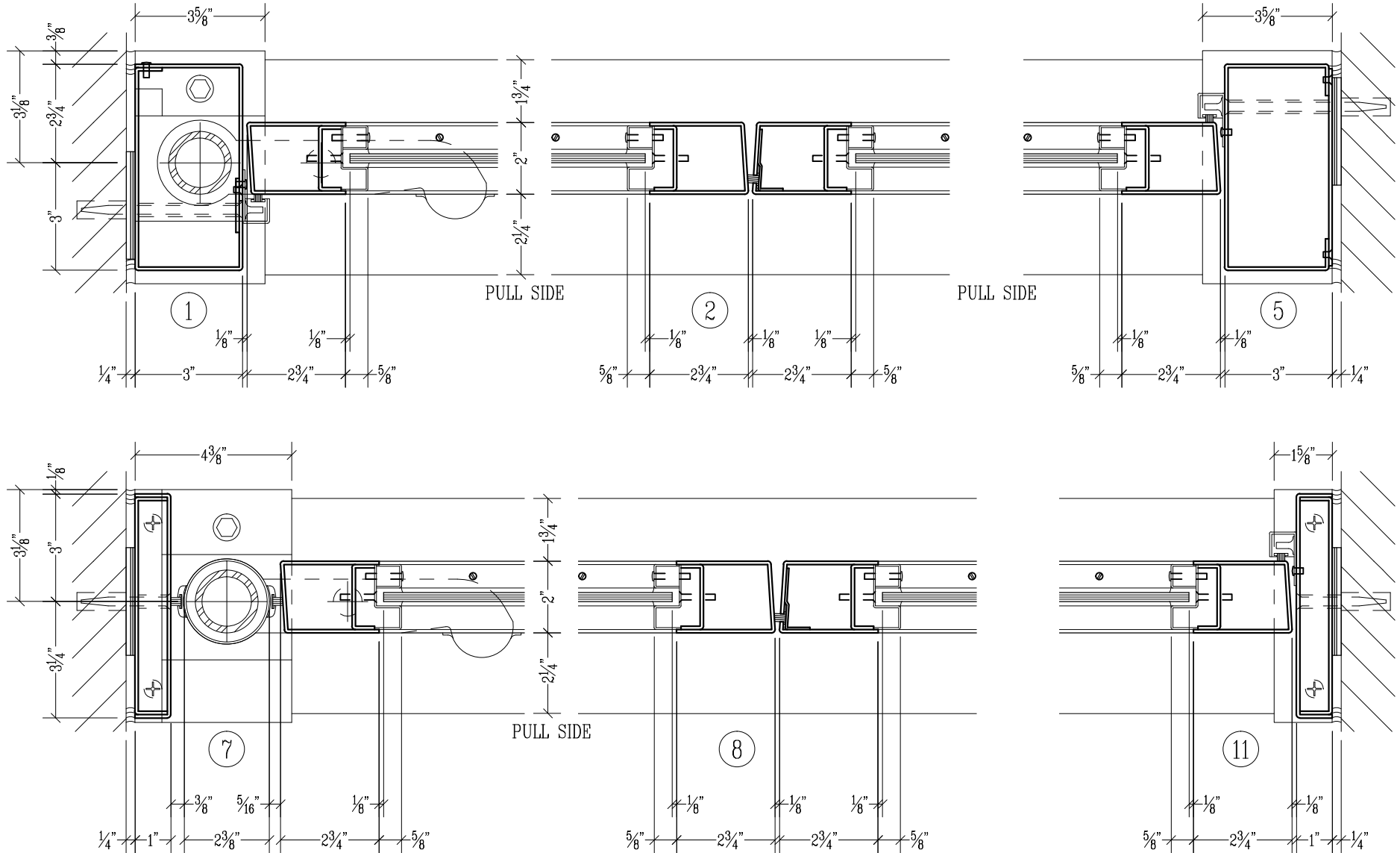


EXTERIOR
(Pull Side)

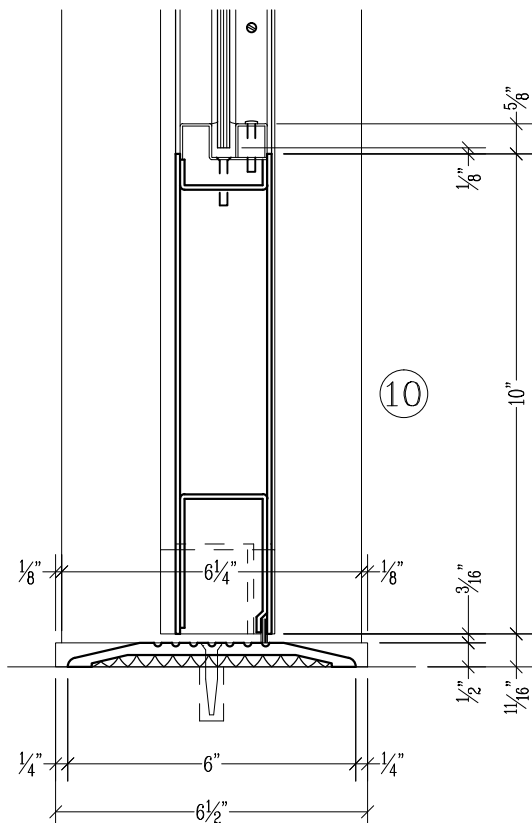
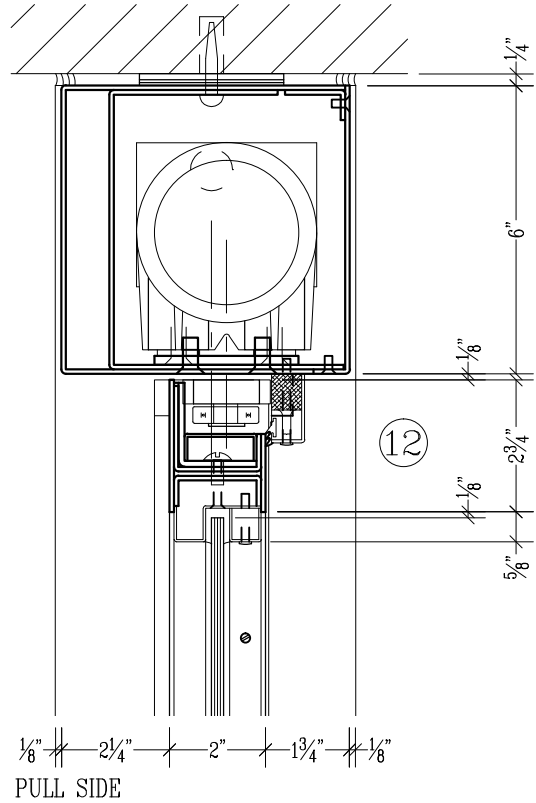
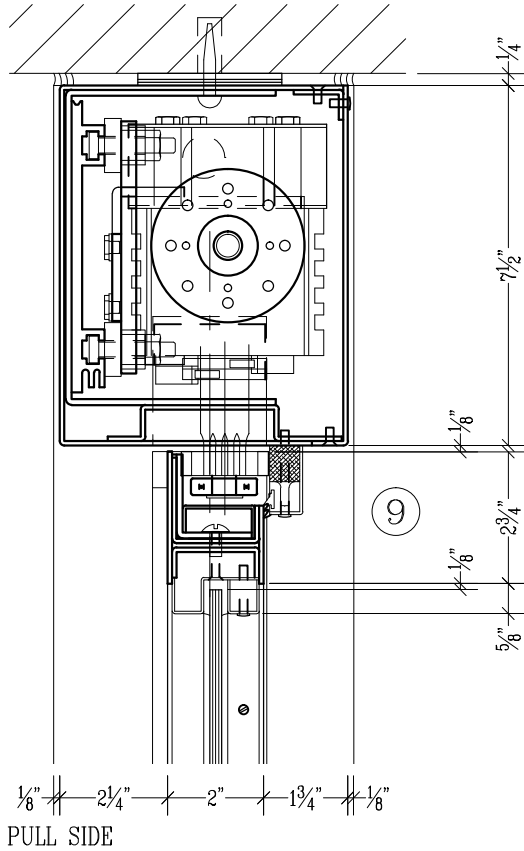


SHOWN WITH HORTON POWER OPERATORS

"Power Now" (N-1 & 2)



Exposed Shafts / "Power Now" (N-2)



Note: Side load type power operator configurations shown at details 9 & 12 (consult factory for optional bottom load configuration if required for recessed header applications)

SCALE: 1/4" = 1"